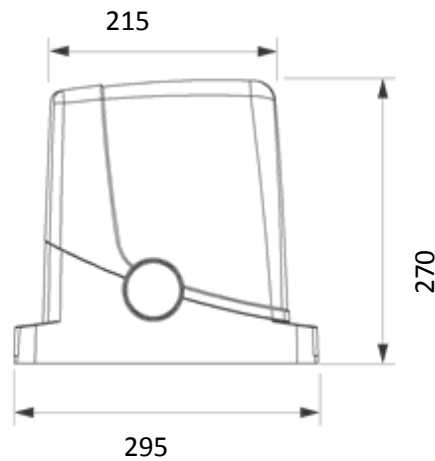
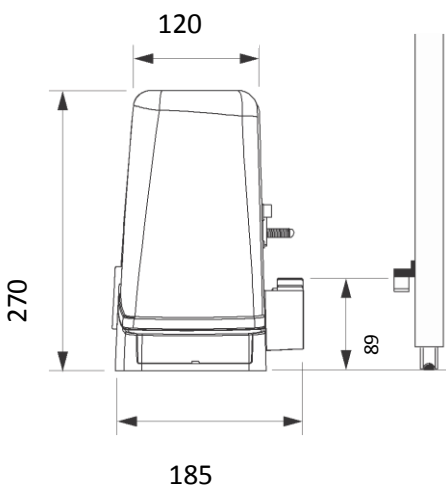


**Key of components:**

- Gear motor with incorporated control unit to the PONY324
- M4 rack, Nylon
- Limit switch brackets
- Photocells
- Mechanical stoppers
- Key selector or digital keyboard
- Flashing light



TECHNICAL DATA	PONY324
Power supply	230Vac
Motor supply	24Vdc
Max absorbed current	0.6A
Power consumption in standby mode	8mA
Thrust	321 N
Opening speed	10m /min
Operation cycle	30%
Protection level	IIP44
Operating temperature	-20°C /+50°C
Max gate weight	350kg
Driving gear for rack	M4 Z14
Version	KIT only
Items no. per pallet	-
KITS no. per pallet	36

**Gates 'R Us**

| Ph.: 9758 7157  
[sales@gatesrus.com.au](mailto:sales@gatesrus.com.au)  
[www.Gatesrus.com.au](http://www.Gatesrus.com.au)

Factory 5 / 14 Edina Rd.  
 Ferntree Gully, Victoria,  
 AUSTRALIA 3156



## AUTOMATIONS FOR SLIDING GATES



**BENINCA**  
TECHNOLOGY TO OPEN

# PONY324



## RESIDENTIAL USE

The PONY324 is an energy saving ESA system thanks to the battery backup system, the control unit is positioned in such a way as to make programming operations simple, easy and immediate.

It has a sensor obstacle detection system to prevent crushing, and will support gates up to 350 kg.

It also features

Optional connection to KSUN Unit.

Complete KIT includes:



motor



photo cells



pair of to.go remotes



Motor automation for the Beninca PONY 324

## Gates R Us

| Ph.: 9758 7157  
[sales@gatesrus.com.au](mailto:sales@gatesrus.com.au)  
[www.gatesrus.com.au](http://www.gatesrus.com.au)

Factory 5 / 14 Edina Rd.  
Ferntree Gully, Victoria,  
AUSTRALIA 3156