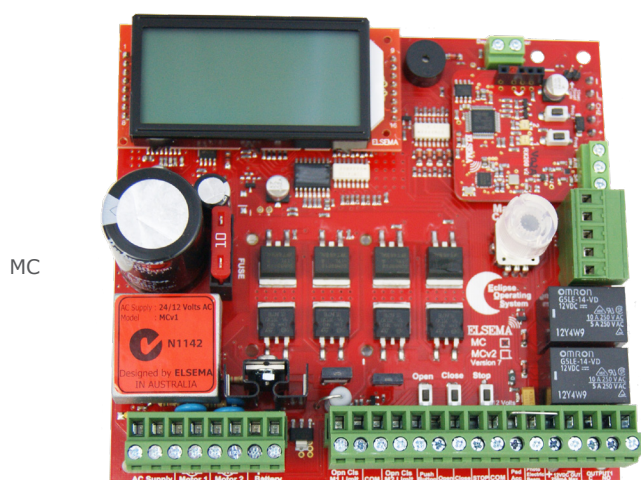


MC with ECLIPSE®

Controller Card for 24 or 12 Volt DC Motors
Gate and Door Controller with LCD and Intelligent Technology



FEATURES

-) Suitable for swing and sliding gates
-) Double or single motor operation
-) 24 or 12 Volt DC motor operation
-) Motor soft start and soft stop
-) Speed and force adjustment
-) Large 4-line LCD to indicate controllers status and setup instructions
-) 1-Touch control for easy setup
-) Auto profiling using latest intelligent technology
-) Various inputs, push button, open only, close only, stop, pedestrian and photoelectric beam
-) Supports limit switch inputs or mechanical stops
-) Adjustable auto close, obstruction load and pedestrian access
-) Adjustable lock and courtesy light outputs
-) Variable photoelectric safety beam functions
-) Energy saving mode to reduce running costs
-) 12 and 24 Volt DC Output to power accessories
-) Service counters, password protection, holiday mode and many more features
-) Built-in 12 and 24 Volt battery charger for backup batteries
-) Low standby current making it ideal for solar gates

DESCRIPTION

Are you ready for the next Eclipse? Elsema's MC controller is not just the next generation but the industry game changer. We wanted to create a controller that is simple to use and does just about any feature required in the gate and door industry. The MC is not just the next generation but the "Next Transformation" in the gate and door industry creating an Eclipse over previously developed motor controllers.

This new intelligent motor controller is the best match for your automatic gate or door motors.

The intelligent controller was built from the ground up, based on customer feedback and using today's technology. With its rich functions, consumer friendly

price and with the focus during development being ease of use and setup makes this controller the ultimate board to control your motors.

Elsema's easy options to add remote controls or any type of photoelectric beams makes for a very user friendly approach, while avoiding the lock down approach to accessories.

The control cards are available with an IP66 rated plastic enclosure for outdoor installations, backup batteries with charger or the card only. The MC is also suitable for solar gates as it has very low standby current.

TECHNICAL DATA

Small Size 140mm x 130mm (Card only)

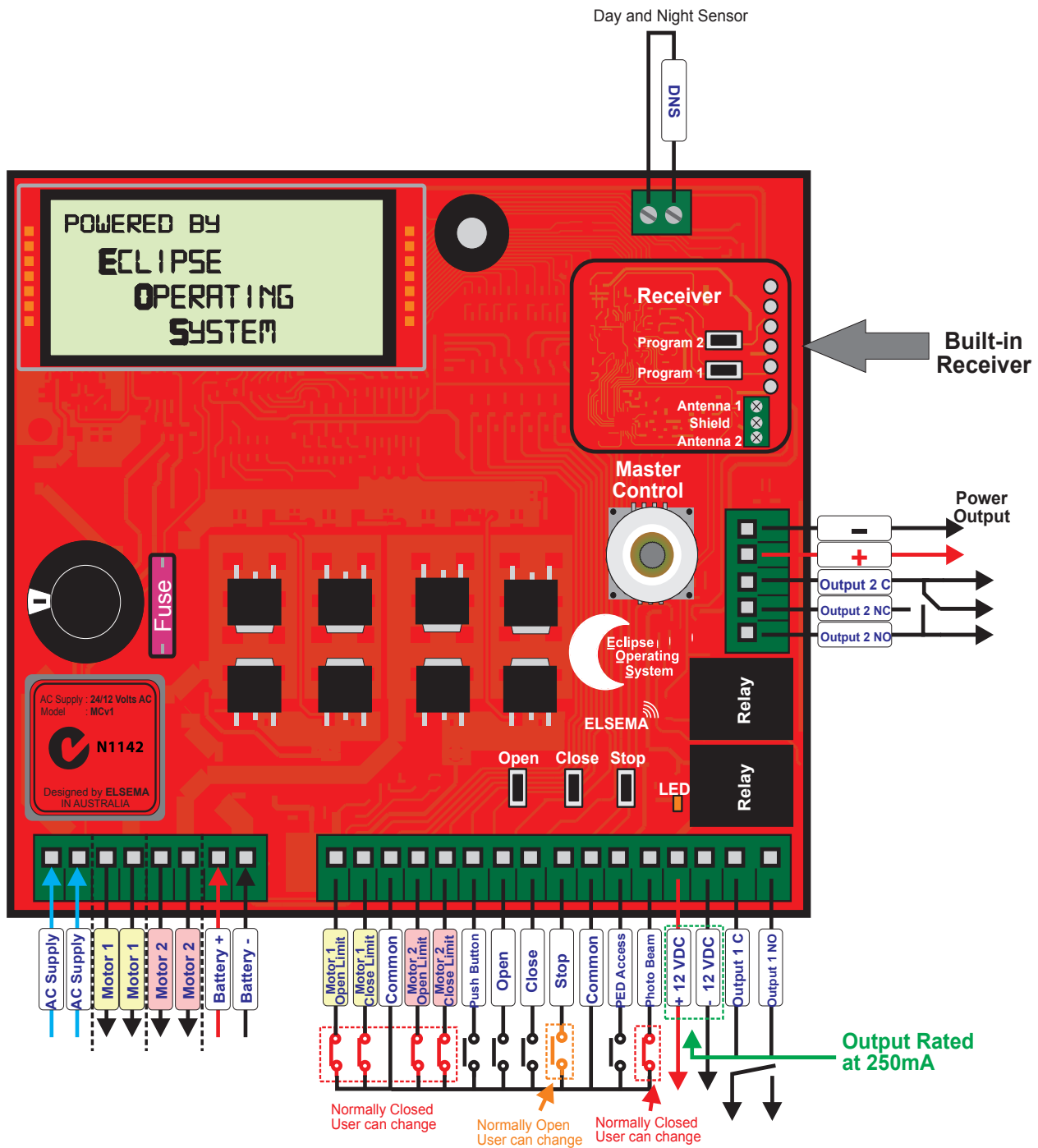
Suitable for motors up to 120Watts. Above 120 Watts use **MCv2**

Low standby current

Can be used with or without limit switches

Test buttons for control inputs

For detailed technical data visit www.elsema.com/automatic-gates/mcv1



MC is suitable for motors up to 120 Watts. Above 120 Watts use MCv2.
MC & MCv2 control card can be used to control automatic gates, doors, boom gates, automated windows & louvres.