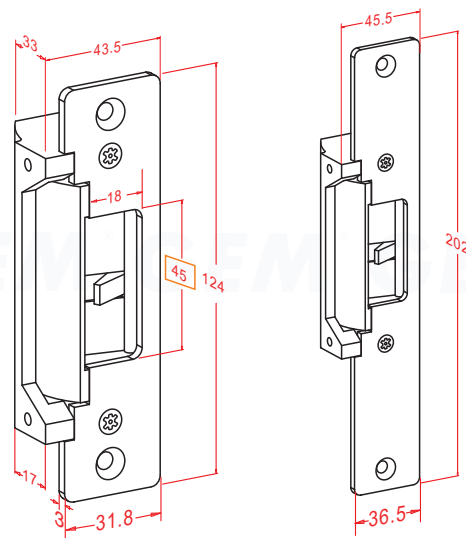


● Statement

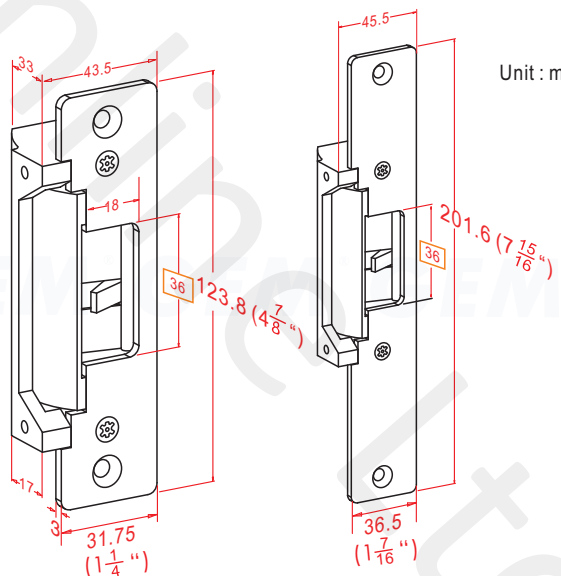
GK300 series, ANSI-size electric strikes, accommodate up to 15 mm latch throw in cylindrical or mortise locksets without a deadbolt. They operate on a single voltage solenoid, 12 or 24V, and come with an optional latchbolt monitor. Stainless steel faceplates ensure strength and long life. The lock mode is field convertible from either fail-lock to fail-unlock.

● Dimension



GK300
GK300M

GK301
GK301M



GK310
GK310M

GK311
GK311M

Unit : mm

● Patents

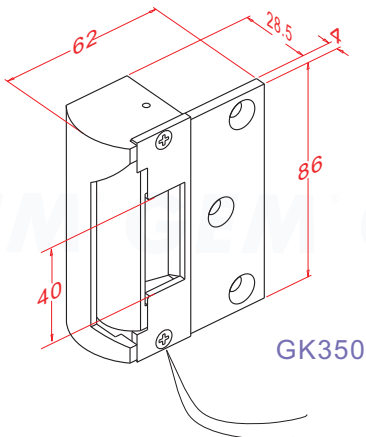
- ZL 99 2 48179.1(China)
- US 6299225 B1(U.S.A.)
- GB2355753 (UK)
- 166716 (Taiwan)

GIANNI INDUSTRIES, INC.

Model Comparison List

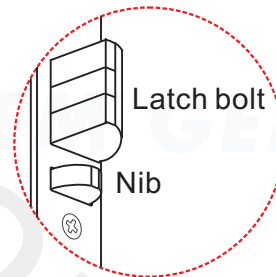
Model	Door frame	Latch monitoring switch	Application Lockset	Installation	Optional Accessory
GK300	Hollow metal Frames		Spring latch	Mortise Mount	LP-025, LP-050
GK300M	Hollow metal Frames	●		Mortise Mount	LP-025, LP-050
GK301	Wood Frames			Mortise Mount	LP-025, LP-050
GK301M	Wood Frames	●		Mortise Mount	LP-025, LP-050
GK310	Hollow metal Frames		Latch-bolt lock	Mortise Mount	LP-025, LP-050
GK310M	Hollow metal Frames	●		Mortise Mount	LP-025, LP-050
GK311	Wood Frames			Mortise Mount	LP-025, LP-050
GK311M	Wood Frames	●		Mortise Mount	LP-025, LP-050
GK350	Hollow metal & Wood Frames		Night Latch	Surface Mount	

Dimension



Unit : mm

What's latch bolt lock ?



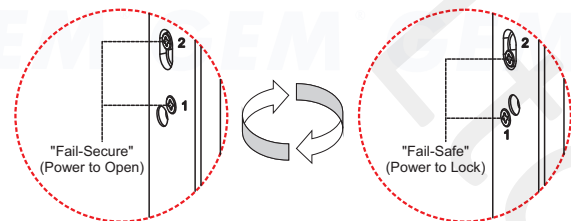
A latch bolt lock is a lock comprising a latch bolt and a nib. When the door is closed, the nib makes the latch a dead bolt. The latch bolt locks into the strike keeper in the door frame to make sure that it is closed. Latch-bolt locks are compatible with **GK-310** and **GK-311** models.

Specifications

- Operating Voltage: 12 VDC (24VDC available by special order)
- Current Draw: 0.25 A / 12 VDC; 0.15 A / 24 VDC (at temperature 20°C)
- Sensor Switch monitor output (optional model) Rating: 3A/125VAC; 1.5A/250VAC
- Operating Temperature: -10~45°C
- Humidity: 0~95% non-condensing.
- Material: Stainless steel faceplate, zinc alloy main stand (GK300, GK301, Gk310)
Aluminum alloy main stand (GK350)
- Tested to 1,000,000 cycles.
- Net Weight (approx.) : 380g; 270g(GK350)

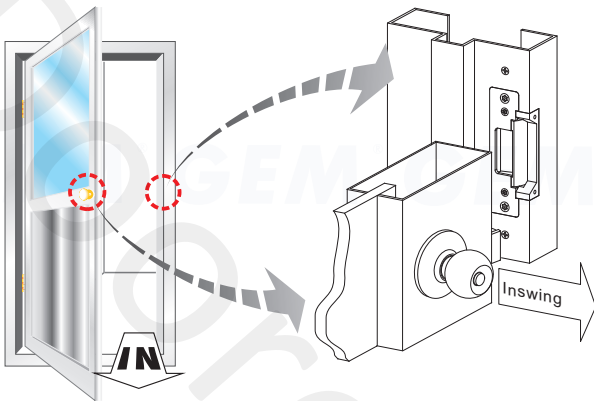
Version Changeable

The GK-300 electric strikes can easily be changed between fail-safe and fail-secure modes. This unique design enables distributors to reduce inventory and still meet varying needs and requirements of end users.

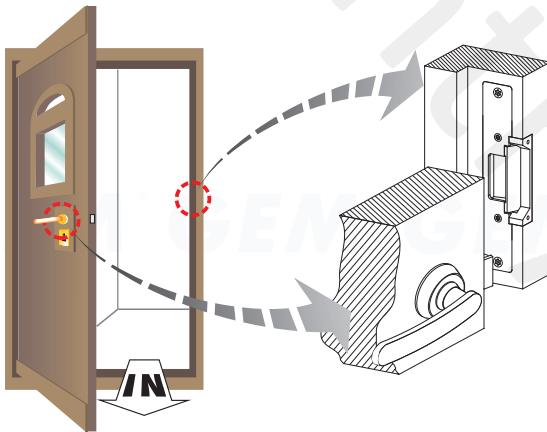


GIANNI INDUSTRIES, INC.

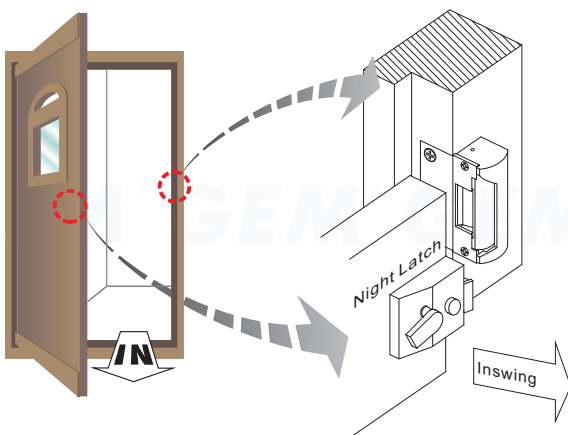
GK300, 310 Hollow Metal Mortise Mount



Gk301, 311 Wood Frames Mortise Mount

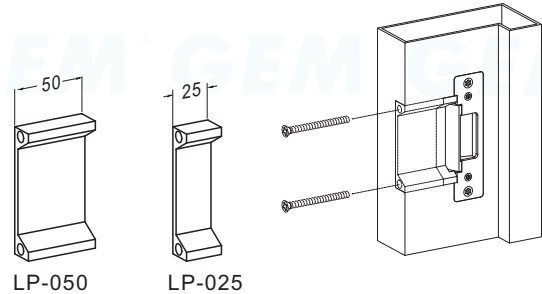


GK350 Surface Mount



Optional Accessory

Lip extension brackets for the wide jamb.



CSIRO Fire-resistance Certificate

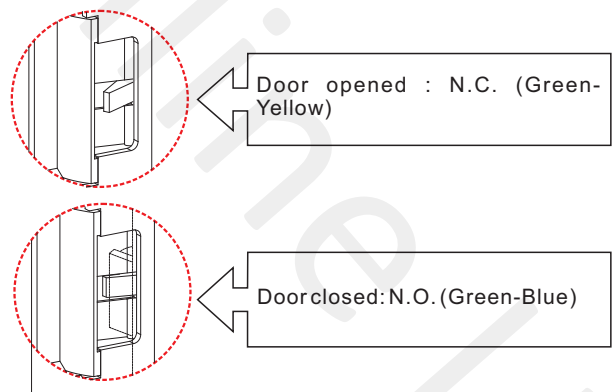
This product's materials and parts have been proven to be fire resistant in accordance with the test procedures of Sponsored Investigation FSV 0609 and the terms of clause 4.1 of Australian Standard 1905, Part 1-1997.

Long life solenoids

Special solenoid is designed for strength and long life and guarantees the operating lifetime of at least 1,000,000 times.

Latch Monitoring Output

"Sensor Switch monitoring output" function indicates the locked or unlocked status.



GIANNI INDUSTRIES, INC.

GK300-9 series ANSI Electric Strike (For narrow doors)



GK300-9
Hollow metal jamb installation



GK300M-9
Hollow metal jamb installation

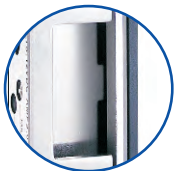
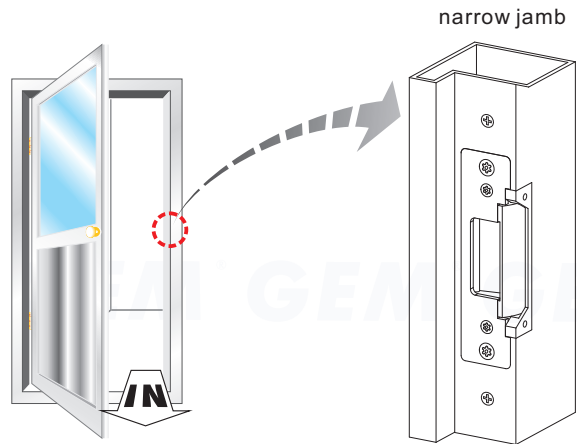


GK301-9
Wooden jamb installation

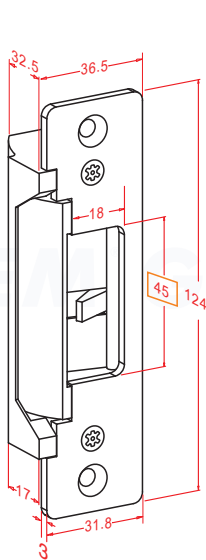


GK301M-9
Wooden jamb installation

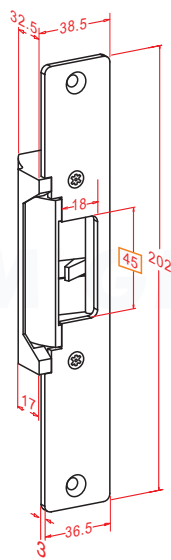
GK300-9 series Narrow Frame Doors Installation



The GK300-9 series electric strikes are designed for use with Door Latch, Max. latch throw 15mm for inswing doors.



GK300-9
GK300M-9



GK301-9
GK301M-9

Unit: mm

Warranty

The product is warranted against defects in material and workmanship while used in normal service for a period of 3 years from the date of sale to the original customer. The GEM policy is one of continual development and improvement; therefore GEM reserves the right to change specifications without notice.

GIANNI INDUSTRIES, INC.

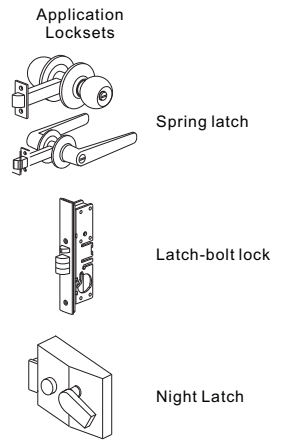
Electric Strike Installation Instruction

GK300 Series

Specification

Operating Voltage	12 VDC, 24 VDC, 12/24VDC
Voltage Tolerance	±15%
Current Draw	250 mA/12 VDC 150 mA/24 VDC
Operating Temperature	-10°C~+45°C
Humidity	0~95%
Optional Bracket	LP-025, LP-050

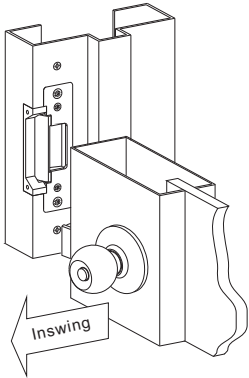
	Hollow Metal Frames	Wooden Frames	Bond Sensor Output	Installation
GK300	●			Mortise Mount
GK300M	●		●	Mortise Mount
GK301		●		Mortise Mount
GK301M		●	●	Mortise Mount
GK302		●		Mortise Mount
GK302M		●	●	Mortise Mount
GK310	●			Mortise Mount
GK310M	●		●	Mortise Mount
GK311		●		Mortise Mount
GK311M		●	●	Mortise Mount
GK312		●		Mortise Mount
GK312M		●	●	Mortise Mount
GK350	●	●		Surface Mount



Gk300 series electric strikes are designed for spring latch or lockset (e.g. cylindrical locks). The latch bolt lock comprises a latch bolt and a Nib. The GK300 electric strike can easily be changed between fail-safe and fail-secure modes. (versions)

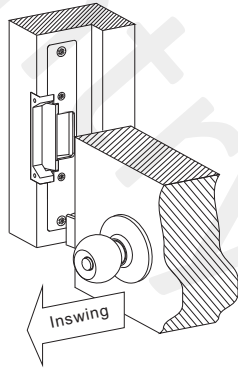
GK300, GK300M
GK310, GK310M

Hollow Metal Frames

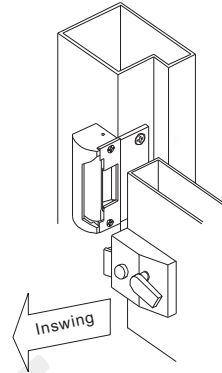


GK301, GK301M
GK302, GK302M
GK312, GK312M
GK311, GK311M

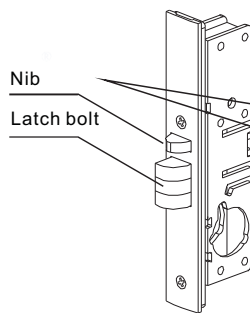
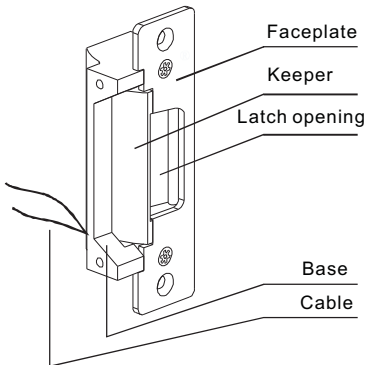
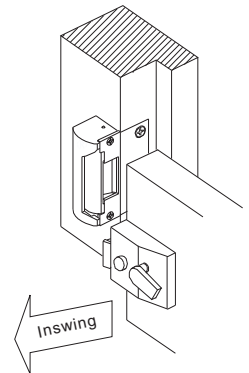
Wooden Frames



GK350
Hollow Metal Frames



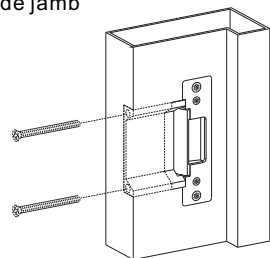
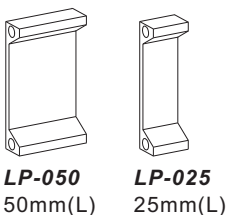
GK350
Wooder Frames



What is a Nib?
When the door is closed, the Nib makes the latch a dead bolt. The latch bolt locks into the strike keeper of the door frame to make sure that it is closed.

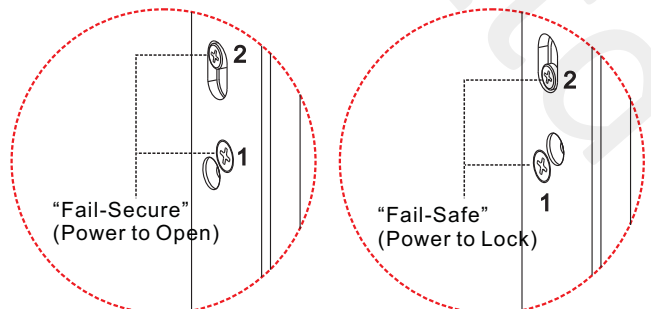
Optional Brackets

Lip extension brackets for wide jamb

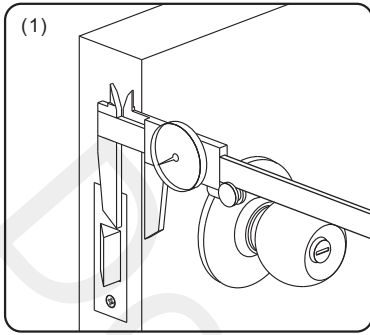


How to change Version?

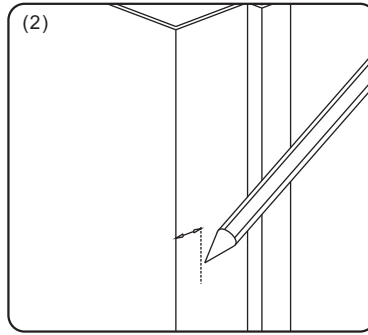
Field selectable by changing position of screws



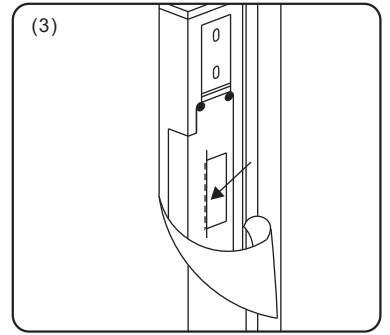
Installation Instruction



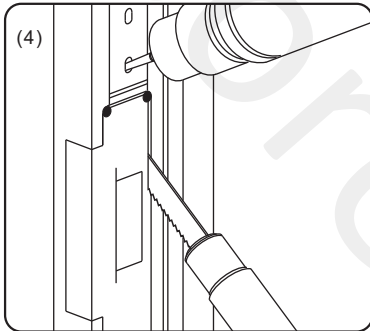
(1) Measure the latch position



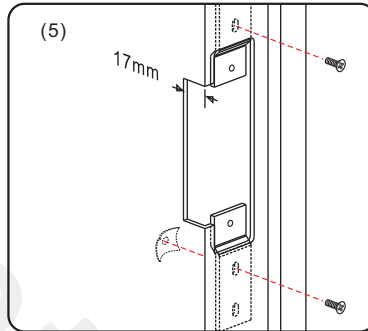
(2) Mark the latch position



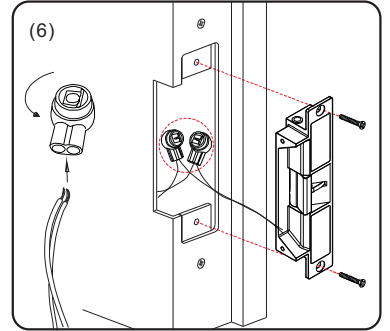
(3) Mount the supplied installation template and align to the marked line



(4) Drill and cut the hole according to the template supplied



(5) Tighten the fixing plug



(6) Connect the power and test the unit

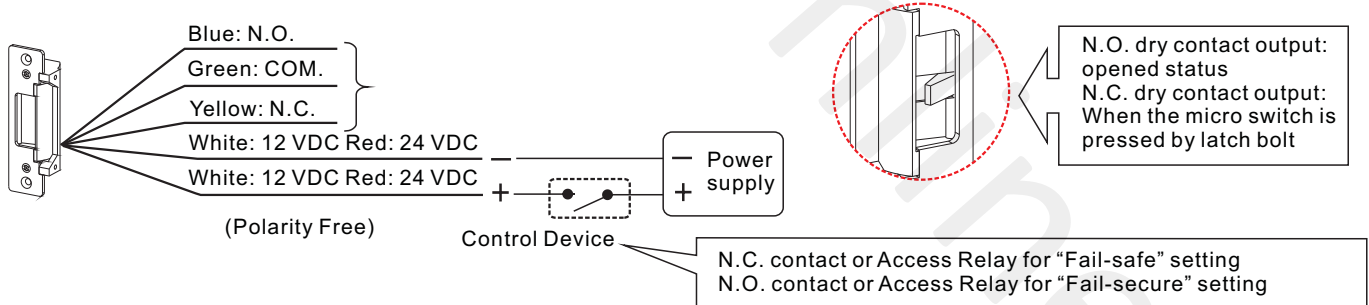
Caution:

Proper gap must be reserved between the strike keeper and latch bolt to prevent failure of solenoid valve.

Connecting Diagram

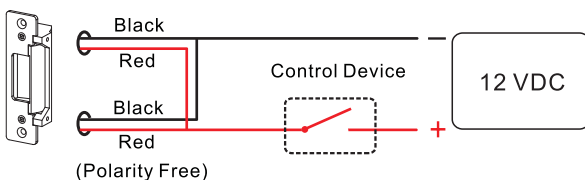
Single Voltage (12V or 24V)

Bond Sensor Output: GK300M , GK301M , GK302M, GK310M, GK311M, GK312M
Reed Switch rated: 3A/125VAC, 1.5A/250VAC

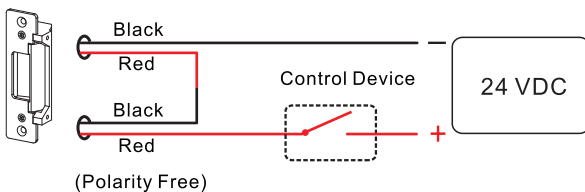


Dual Voltage (12V/24V)

For the 12 VDC operation, the electric strikes have to connect in parallel.



For the 24 VDC operation, the electric strikes have to connect in series.



Butt Splice (IDC) Connector

