

230_{VAC}

BISON25 OTI



ENCODER

INDUSTRIAL USE

control unit with built-in receiver, magnetic encoder and inverter
oil lubricated reductions
IP68 limit switch
personalised release key

**up to 2500 kg**

BENINCA

100%
Made in Italy



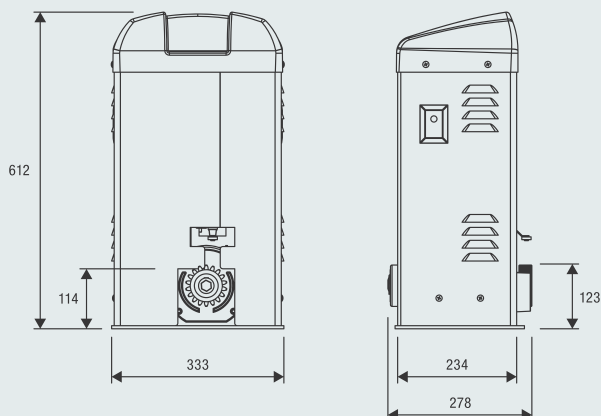
CONTROL UNITS:

BISON25 OTI — CP.BISON OTI

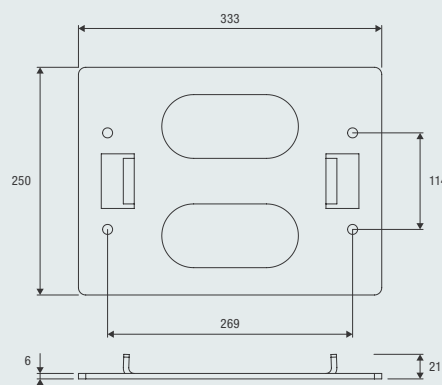
Foundation plate with anchor bolts included.
Motor and floor fixing distance
269 mm x 114 mm, no. 4 Ø 12 mm.

230 Vac

- Three phase 230 Vac geared motor, ventilated for intensive use
- Full metal mechanics and oil lubrication. The type of oil used ensures maximum efficiency even at low temperatures
- The encoder device ensures precision in the gate moving phases
- Casing protective treatment and paint
- The inverter technology allows for more precise adjustment of the gate moving phases, and increased crush prevention security
- Optional built-in FTC.S photocells, available as accessory

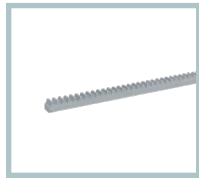


Weight (kg)	Speed (m/min)
2,500	10
2,000	11
1,450	13
1,100	15
650	19

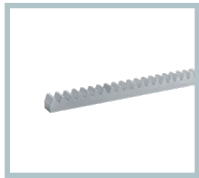


**RI.M4Z**

M4 galvanised rack to weld 22x22x2000 mm.
Package of 2 pcs.

**RI.M4ZF**

Galvanised slotted M4 rack 22x22x2010 mm for fastening to the side with the teeth. Supplied with M6 screws.
Package of 1 pc.

**RI.M6Z**

M6 galvanised rack to weld 30x30x2000 mm. Requires pinion RI.P6.

**RI.P6**

M6 gear, it needs the rack RI.M6Z.

**RF.SUN**

Battery-operated device recharged by means of a photovoltaic panel applied on a mobile edge.

**RF**

Device with a non rechargeable battery, with guaranteed duration 2 years.

**SC.RF**

Device powered at 12/24 Vdc with self-test function and 2 outputs for connection to the electronic control units.

**ID.TA**

Warning board.

**IRI.TX4VA**

4-channel transmitter with Advanced Rolling Code and Rolling Code.

**IRI.TX4AK**

4-channel transmitter with Advanced Rolling Code and Fixed Code.

**IRI.LAMP**

White full range flashing light, 20-255 VAC with built-in aerial.

**IRI.KPAD**

Battery operated wireless vandal-proof digital keypad with alert buzzer and backlit buttons. Triple coding: Rolling Code, Programmable Code and Advanced Rolling Code. 254 memorisable codes.

**FTC.S**

24 Vac/dc surface mounting photocell. It is possible to synchronise up to 4 pairs of photocells.

**DA.2S**

Electronic board that allows synchronised movement of 2 automation devices (opposed sliding gates).

AUTOMATISMI BENINCÀ SpA • Via del Capitello, 45 • 36066 Sandrigo (VI) ITALY • T +39 0444 751030 • sales@beninca.com

TECHNICAL DATA	BISON25 OTI
Power supply	230 Vac (50-60Hz)
Motor supply	≈ 230 Vac
Max absorbed current	8 A
Max Thrust	2500 N
Max opening speed	19 m/min
Duty cycle	intensive use
Protection level	IP44
Operating temperature	-20°C /+50°C
Lubrication	OIL
Max gate weight	2500 kg
Driving gear for rack	M4 Z18
Weight	41.2 kg
Items no. per pallet	8